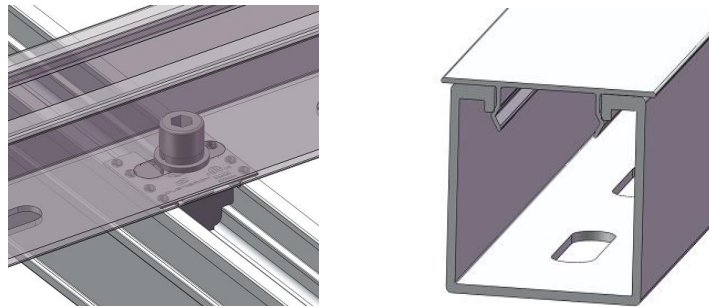


PV-ezRack MT-Rail Cable Tray

- Assembly -



- Component -



MT-Rail Cable Tray, 40*40*2560 mm

Part No.: EZ-CT-40/40/2560

- Technical Specification -

Application	Fix Solar DC Cables
Fixing method	Fix on the ECO or T rail with Z module
Cable Load Per Meter	Span 1.0m: 239 kg Span 1.5m: 106 kg Span 2.0m: 59 kg Span 2.5m: 38 kg
Dimensions	L2560mm*W40mm*H40mm
Weight	1.73 kg
Packaging	1020 pcs per pallet
Material	AL6005-T5
Finish	Mill Finish
Standard	AS NZS1170.2-2011

