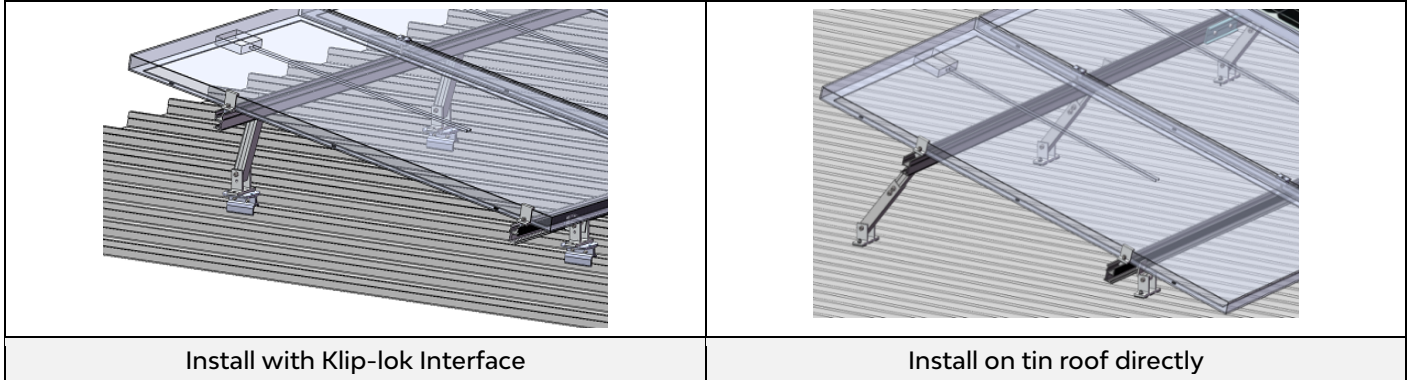
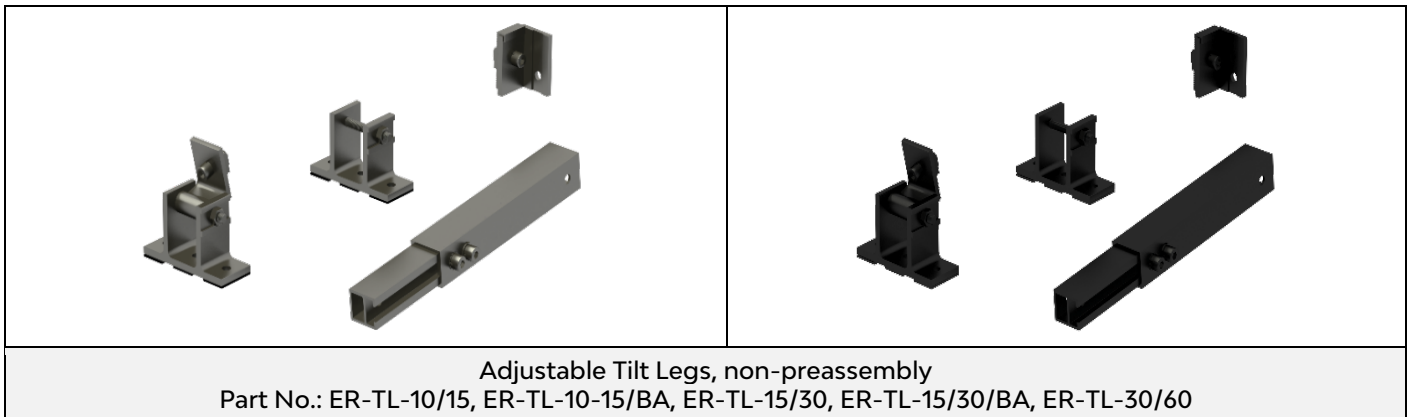


## SolarRoof, Adjustable Tilt Legs, non-preassembly

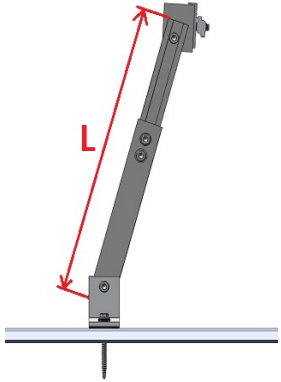
### Assembly



### Component



### Technical Specification

Screw Specification	2 x Buildex 14-11 x 70 (14 gauge, 6.3 mm, 11 TPI, 70 mm long) Hex Head Zips screw	 <p>Adjustable range for Rear Leg:</p> <p>ER-TL-10/15, ER-TL-10/15/BA: 260-375 mm</p> <p>ER-TL-15/30, ER-TL-15/30/BA: 390-635</p>
Weight	ER-TL-10/15, ER-TL-10/15/BA: 1.056kg ER-TL-15/30, ER-TL-15/30/BA: 1.277 kg ER-TL-30/60: 1.764 kg	
Packaging	ER-TL-10/15: 5 units per pack, 4 packs (20 units) per carton ER-TL-10/15/BA: 14 units per carton ER-TL-15/30: 20 units per carton ER-TL-15/30/BA: 14 units per carton ER-TL-30/60: 10 units per carton	
Material	Tilt Legs: AL6005-T5; Fasteners: SUS304	
Color	Silver (half-anodized no less than 10 µm) or Black (full-anodized)	
Earthing	Yes	
Standard	AS NZS1170.2-2011 National Building Code of Canada (NBC) 2020	