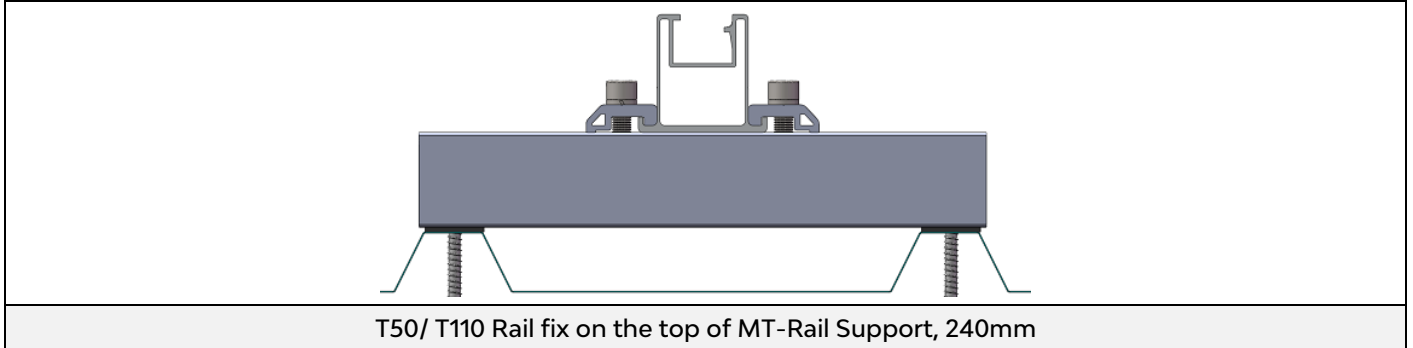
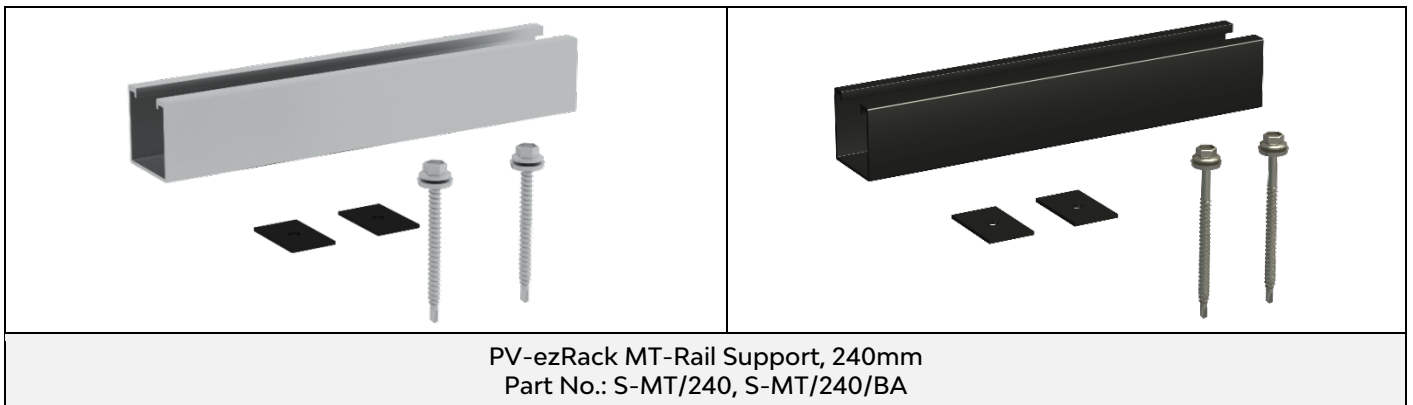


## MT-Rail Support, 240mm

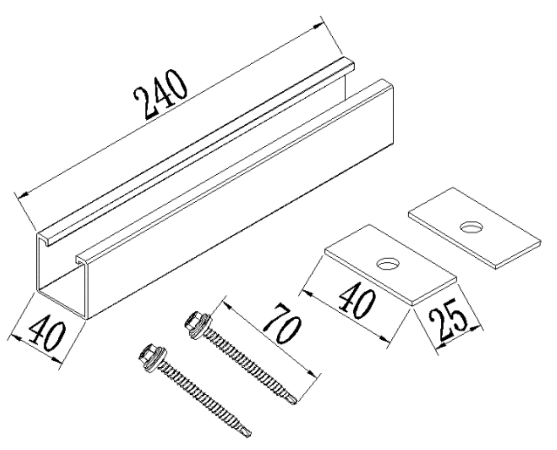
### Assembly



### Component



### Technical Specification

<b>Application</b>	Tin Roof with Metal Purlin	
<b>Fixing Method</b>	Buildex 14-11 x 70 (14 gauge, 6.3 mm, 11 TPI, 70 mm long) Hex Head Zips screw	
<b>Dimension</b>	L240mm*W40mm*H40mm	
<b>EPDM</b>	2 pieces rubber (2mm) supplied	
<b>Weight</b>	0.201 kg	
<b>Packaging</b>	100 units per carton	
<b>Material</b>	AL/6005-T5	
<b>Color</b>	Silver (anodized, no less than 10 μm) Black (full-anodized)	
<b>Standard</b>	AS NZS1170.2-2011 National Building Code of Canada (NBC) 2020	