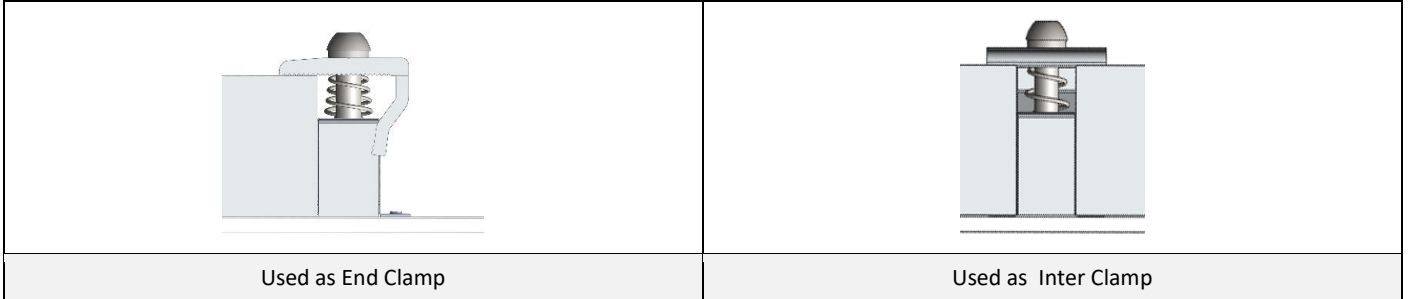
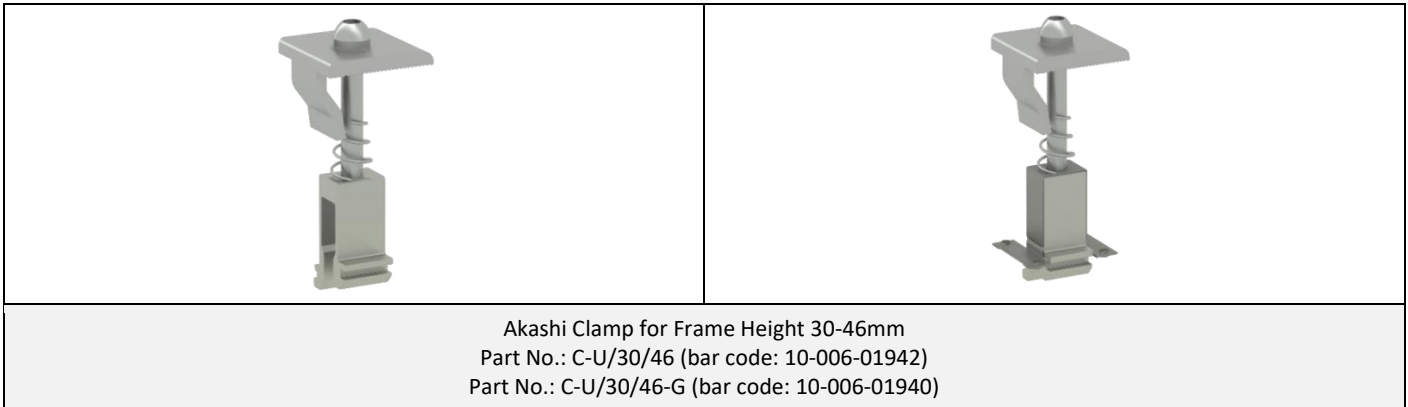


Akashi Clamp for Frame Height 30-46mm

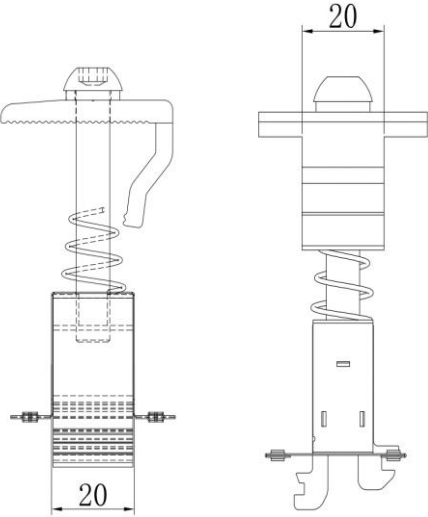
Assembly



Component



Technical Specification

Application	C-U/30/46 and C-U/30/46-G are for framed PV Modules of 30-46mm in height	
Requirement	C-U/30/46 and C-U/30/46-G need 20mm space on each side of the Rail, need 20mm space between PV Modules	
Recommended Torque	13-14N•m	
Weight	C-U/30/46: 0.068 kg C-U/30/46-G: 0.072 kg	
Packaging	C-U/30/46: 70 units per pack, 4 packs (280 units) per carton C-U/30/46-G: 60 units per pack, 4 packs (240 units) per carton	
Material	Main parts: AL6005-T5 Fasteners and Grounding Clip: SUS 304	
Color	Silver (Anodized, no less than 10 μm, excluding machined surfaces)	
Standard	NBC 2020 OBC 2012/2022 & OBC 2024 BCBC 2018 & BCBC 2024 NBC(AE) 2019 & NBC(AE) 2023 NBC 2010 (Manitoba Amendments) CAN/CSA S157-17 CAN/CSA S16-14 (R2019)	