
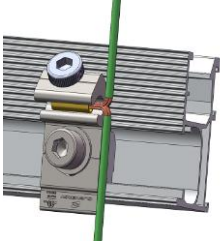
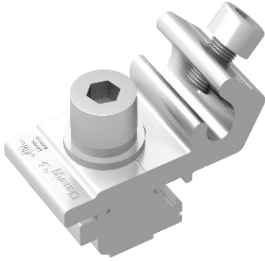


## Grounding Lug, with Clenergy Logo

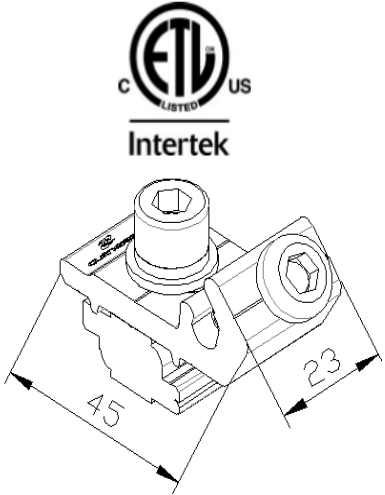
### Assembly

	
Fix into the top channel of Rail	Fix into the side channel of Rail

### Component


Grounding Lug, with Clenergy Logo Part No.: EZ-GL-ST (barcode: 12-023-00014)

### Technical Specification

<b>Application</b>	For Clenergy's PV Mounting System	
<b>Fixing method</b>	Fixing into ECO/T50/T110 Rail with Z module	
<b>Max Cable Size</b>	10 mm <sup>2</sup>	
<b>Dimensions</b>	W23mm*L45mm	
<b>Weight</b>	0.087 Kg	
<b>Packaging</b>	80 units per pack, 4 packs (320 units) per carton	
<b>Material</b>	Lug and pipe: Hpb59-1 Bolt/Washer: SUS304 Z module: AL6005-T5	
<b>Certification</b>	Approved by ETL according to UL467-2013	
<b>Standard</b>	NBC 2020 OBC 2012/2022 & OBC 2024 BCBC 2018 & BCBC 2024 NBC(AE) 2019 & NBC(AE) 2023 NBC 2010 (Manitoba Amendments)  CAN/CSA S157-17 CAN/CSA S16-14 (R2019)	