

## Tile Interface with ezClick connection for ECO-Rail

### Assembly

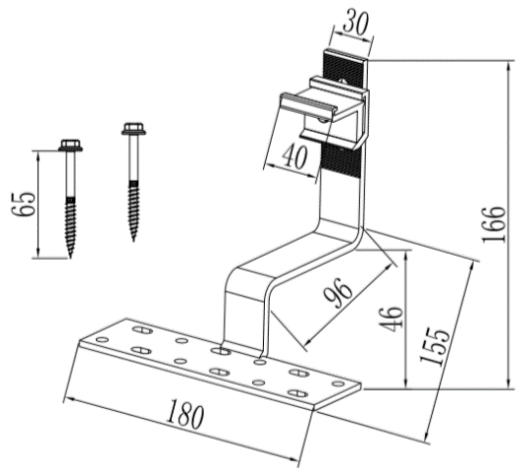


### Component



PV-ezRack SolarRoof, Tile Interface with ezClick connection for ECO-Rail  
Part No.: ER-I-01/EZC/ECO (barcode: 12-003-00047)

### Technical Specification

<b>Application</b>	Tile Roof with Timber Purlin	
<b>Screw Specification</b>	Buildex 14-10 x 65 (14 gauge, 6.3 mm, 10 TPI, 65 mm long) Hex Head Zips screw	
<b>Dimensions</b>	L180mm*W155mm*H166mm	
<b>Weight</b>	0.678 Kg	
<b>Packaging</b>	15 units per pack; 2 packs (30 units) per carton	
<b>Material</b>	Roof Hook: SUS304 AL6005-T5 Bolts/Washer/Nuts: SUS304	
<b>Color</b>	Silver	
<b>Standard</b>	NBC 2020   OBC 2012/2022 & OBC 2024   BCBC 2018 & BCBC 2024   NBC(AE) 2019 & NBC(AE) 2023   NBC 2010 (Manitoba Amendments)   CAN/CSA S157-17   CAN/CSA S16-14 (R2019)	