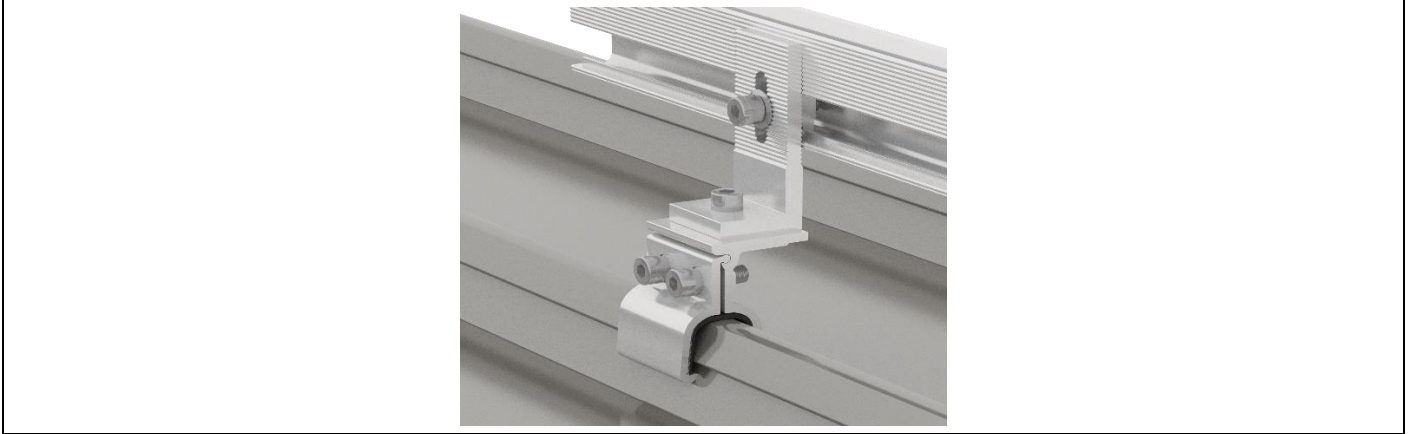
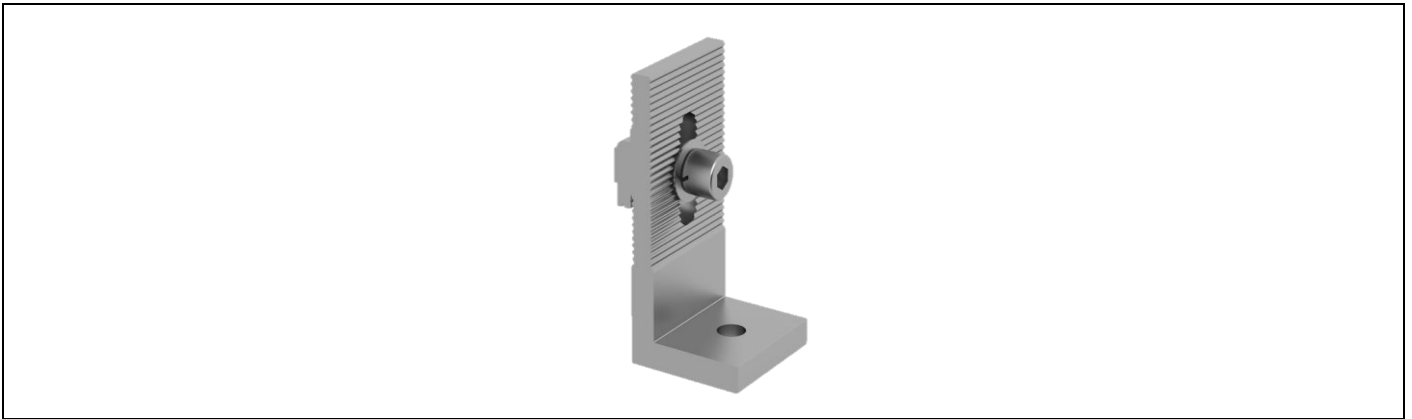


Tin Interface with M8x28 Bolt and for Threaded Holes

Assembly

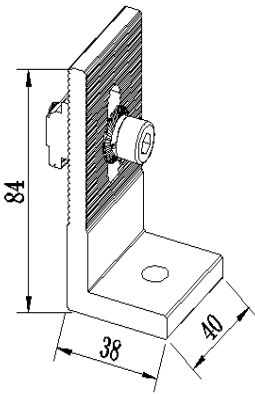


Component



Tin Interface with M8x28 Bolt and for Threaded Holes
Part No.: I-05-8/28/TH

Technical Specification

Application	For Clenergy' s PV Mounting System	
Fixing method	Fixing into Klip lok Interface (with threaded hole)	
Dimensions	L40mm*W38mm*H84mm	
Weight	0.117 kg	
Packaging	50 units per pack, 4 packs (200 units) per carton	
Material	Main Structure: AL6005-T5 Bolt/Washer: SUS304	
Color	Silver (anodized, no less than 10 μm)	
Standard	NBC 2020 OBC 2012/2022 & OBC 2024 BCBC 2018 & BCBC 2024 NBC(AE) 2019 & NBC(AE) 2023 NBC 2010 (Manitoba Amendments) CAN/CSA S157-17 CAN/CSA S16-14 (R2019)	