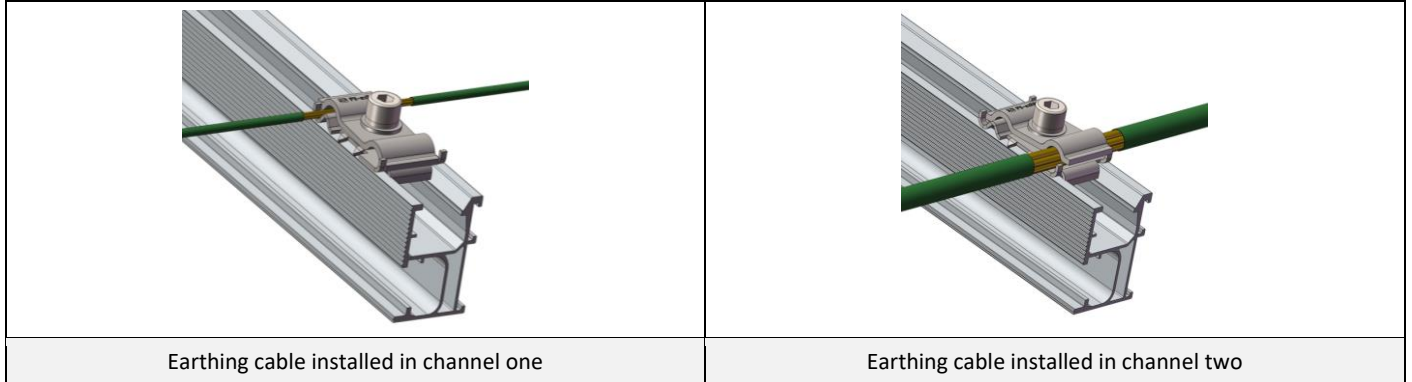
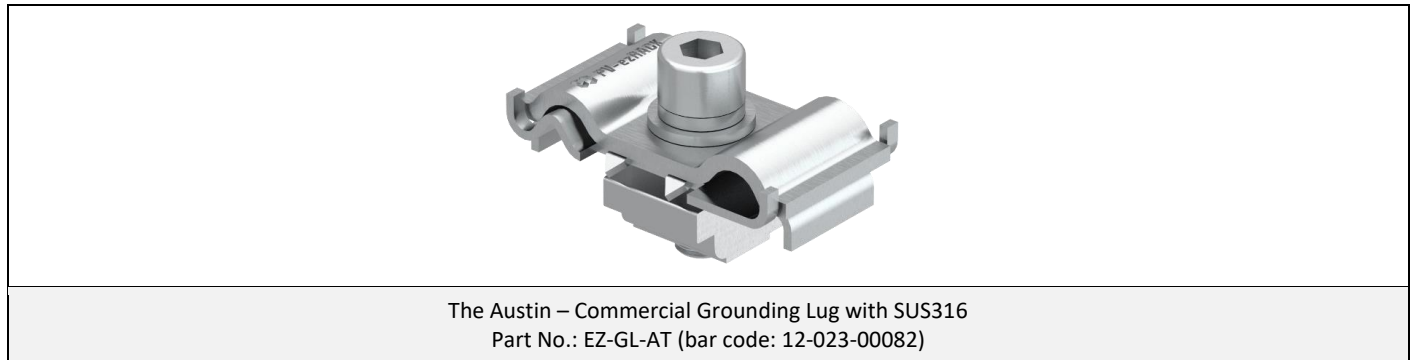


The Austin – Commercial Grounding Lug

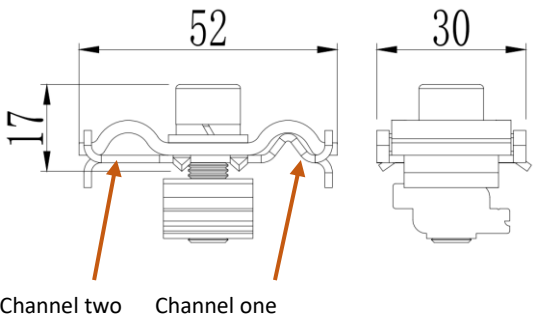
Assembly



Component



Technical Specification

Application	Fixing earthing cable in PVEzRack mounting system	
Fixing method	Fixing into ECO/T50/T110 Rail with Z module	
Earthing Cable Size	Channel One: 4, 6, 10 and 16mm ² Channel Two: 25, 35, 50mm ²	
Dimensions	W30mm*L52mm	
Weight	0.073 kg	
Packaging	8 pcs per bag, 120 units per pack, 2 packs (240 units) per carton Carton weight: 17 Kg	
Material	Lug: SUS316; Bolt/Washer: SUS316 Z module: AL6005-T5	
Standard	NBC 2020 OBC 2012/2022 & OBC 2024 BCBC 2018 & BCBC 2024 NBC(AE) 2019 & NBC(AE) 2023 NBC 2010 (Manitoba Amendments) CAN/CSA S157-17 CAN/CSA S16-14 (R2019)	